

Guangzhou Sanjing Electric Co.,
Ltd.

Date : 21.01.2022
Our ref. : AOFEL 02
Your ref.:

No.9, Lizhishan Road, Science City,
Guangzhou High-tech Zone,
Guangdong
P.R. China

Ref : AE Certificate of Conformity EMC

Type of Equipment : Hybrid Solar Inverter
Model Designation : See Certificate
Certificate No. : AE 50531979 0001
Report No. : CN22JXJQ 001

Dear Ladies and Gentlemen,

We herewith confirm that a sample of the above mentioned technical equipment has been tested and was found to be in accordance with the relevant requirements.

Enclosed please find your Certificate of Conformity.

We appreciate your kind support and would like to offer our assistance and continuous services in the future.

With kind regards,

Certification Body

Tongle Lee

Enclosure

证书的详细资料请登陆www.certipedia.com查阅,或拨打我司客服热线800 999 3668 / 400 883 1300咨询

CERTIFICATE

of Conformity
Low Voltage Directive 2014/35/EU

Registration No.: AN 50531401 0001

Report No.: CN2199PA 001

Holder: **Guangzhou Sanjing Electric Co., Ltd.**
No.9, Lizhishan Road, Science City,
Guangzhou High-tech Zone,
Guangdong
P.R. China

Product: **PV-Inverter**
(Hybrid Solar Inverter)

Identification: Type Designation: H2-5K-T2, H2-6K-T2, H2-8K-T2, H2-10K-T2
Serial Number : Engineering samples
Remark : Refer to test report CN2199PA 001
for details.

This certificate of conformity is based on an evaluation of a sample of the above mentioned product. Technical Report and documentation are at the Licence Holder's disposal. This is to certify that the tested sample is in conformity with Annex I of Council Directive 2014/35/EU, referred to as the Low Voltage Directive. This certificate does not imply assessment of the series-production of the product and does not permit the use of a TÜV Rheinland mark of conformity. The holder of the certificate is authorized to use this certificate in connection with the EC declaration of conformity according to Annex IV of the Directive.



Date 18.01.2022



A. Chen

TÜV Rheinland LGA Products GmbH - Tillystraße 2 - 90431 Nürnberg

 The CE marking may be used if all relevant and effective EC Directives are complied with.



Guangzhou Sanjing Electric Co.,
Ltd.

Date : 18.01.2022
Our ref. : 02
Your ref.: 168329508

No.9, Lizhishan Road, Science City,
Guangzhou High-tech Zone,
Guangdong
P.R. China

Ref : AN Certificate of Conf. Low Voltage D.

Type of Equipment : Hybrid Solar Inverter
Model Designation : See Certificate
Certificate No. : AN 50531401 0001
Report No. : CN2199PA 001

Dear Ladies and Gentlemen,

We herewith confirm that a sample of the above mentioned technical equipment has been tested and was found to be in accordance with the relevant requirements.

Enclosed please find your Certificate of Conformity.

We appreciate your kind support and would like to offer our assistance and continuous services in the future.

With kind regards,

Certification Body


A. Chen

Enclosure

证书的详细资料请登陆www.certipedia.com查阅,或拨打我司客服热线800 999 3668 / 400 883 1300咨询

CERTIFICATE of Conformity

Registration No.: AK 50514653 0001

Report No.: CN21H152 001

Holder: **Guangzhou Sanjing Electric Co., Ltd.**
No.9, Lizhishan Road, Science City,
Guangzhou High-tech Zone,
Guangdong
P.R. China

Product: **PV-Inverter**
Hybrid Solar Inverter

Identification: Type Designation: H2-5K-T2, H2-6K-T2, H2-8K-T2, H2-10K-T2
Firmware Version : V1.001
Remark : Refer to test report CN21H152 001 for details.

Tested acc. to: UNE 206006 IN:2011
UNE 206007-1 IN:2013
RD 1699:2011
RD 661:2007
RD 413:2014

The certificate of conformity refers to the above mentioned product. This is to certify that the specimen is in conformity with the assessment requirement mentioned above. This certificate does not imply assessment of the production of the product and does not permit the use of a TÜV Rheinland mark of conformity.



Date 13.08.2021



A. Chen

TÜV Rheinland LGA Products GmbH - Tillystraße 2 - 90431 Nürnberg

CERTIFICADO

de conformidad



Adjunto a
Attachment to

Número de registro: AK 50514653 0001
Registration No.

Reporte no: CN21H152 001
Report No.

Titular de la licencia: Guangzhou Sanjing Electric Co., Ltd.
License Holder No.9, Lizhishan Road, Science City, Guangzhou High-tech Zone, Guangdong P. R. China

Tipo de producción: Inversor solar híbrido
Type of production

Modelo: H2-5K-T2, H2-6K-T2,
Model H2-8K-T2, H2-10K-T2

Versión de firmware: V1.001
Firmware version

Normas: **UNE 206006 IN: 2011**
Standards Ensayos de detección de funcionamiento en isla de múltiples inversores fotovoltaicos conectados a red en paralelo
UNE 206007-1 IN: 2013
Requisitos de conexión a la red eléctrica Parte 1: Inversores para conexión a la red de distribución
RD1699: 2011
Real Decreto 1699/2011, de 18 de noviembre, por el que se regula la conexión a red de instalaciones de producción de energía eléctrica de pequeña potencia.
RD 661: 2007
Real Decreto 661/2007, de 25 de mayo, por el que se regula la actividad de producción de energía eléctrica en régimen especial.
RD 413: 2014
Real Decreto 413/2014, de 6 de junio, por el que se regula la actividad de producción de energía eléctrica a partir de fuentes de energía renovables, cogeneración y residuos.

El certificado de conformidad se refiere al producto mencionado anteriormente. Esto es para certificar que el espécimen está en conformidad con el requisito de evaluación mencionado anteriormente. Este certificado no implica una evaluación de la producción del producto y no permite el uso de una marca de conformidad TÜV Rheinland.

The certificate of conformity refers to the above mentioned product. This is to certify that the specimen is in conformity with the assessment requirement mentioned above. This certificate does not imply assessment of the production of the product and does not permit the use of a TÜV Rheinland mark of conformity.



TÜV Rheinland LGA Products GmbH - Tillystraße 2 - 90431 Nürnberg

Guangzhou Sanjing Electric Co.,
Ltd.

Date : 13/08/2021
Our ref. : 02
Your ref.: 168329508

No.9, Lizhishan Road, Science City,
Guangzhou High-tech Zone,
Guangdong
P.R. China

Ref : AK Certificate of Conformity

Type of Equipment : Hybrid Solar Inverter
Model Designation : See Certificate
Certificate No. : AK 50514653 0001
Report No. : CN21H152 001

Dear Ladies and Gentlemen,

We herewith confirm that a sample of the above mentioned technical equipment has been tested and was found to be in accordance with the relevant requirements.

Enclosed please find your Certificate of Conformity.

We appreciate your kind support and would like to offer our assistance and continuous services in the future.

With kind regards,

Certification Body


A. Chen


Enclosure

证书的详细资料请登陆www.certipedia.com查阅,或拨打我司客服热线800 999 3668 / 400 883 1300咨询

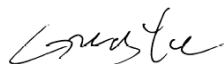
Certificate of Conformity

Certificate Number: CN-PV-220164

On the basis of the tests undertaken, the sample<s> of the below product have been found to comply with the requirements of the referenced specification<s>/standard<s> at the time the tests were carried out. It does not imply that Intertek has performed any surveillance or control of the manufacture(s). The manufacturer(s) shall ensure that the manufacturing process assures compliance of the production units with the examined products mentioned in this certificate.

Applicant:	Guangzhou Sanjing Electric Co., Ltd. No.9, Lizhishan Road, Science City, Guangzhou High-tech Zone, Guangdong, P.R.China
Product:	Hybrid Solar Inverter
Ratings & Principle Characteristics:	See appendix of Certificate of Conformity
Model:	H2-5K-T2, H2-6K-T2, H2-8K-T2, H2-10K-T2
Brand Name<s>:	
Product Complies with:	NTS-631:2020 Technical standard for monitoring the compliance of power generating modules according to EU Regulation 2016/631
Certificate Issuing Office Name & Address:	Intertek Testing Services Ltd. Shanghai West Area, 2 nd Floor, No. 707, Zhangyang Road China (Shanghai) Pilot Free Trade Zone, Shanghai, P. R. China Accredited by ACCREDIA in accordance with ISO/IEC 17065:2012
Test Report No.<s>:	220805052GZU-001

Additional information in Appendix.



Signature

Certification Manager: Grady Ye
Date: 12 August 2022



PRD N° 306B

This Certificate is for the exclusive use of Intertek's client and is provided pursuant to the agreement between Intertek and its Client. Intertek's responsibility and liability are limited to the terms and conditions of the agreement. Intertek assumes no liability to any party, other than to the Client in accordance with the agreement, for any loss, expense or damage occasioned by the use of this Certificate. Only the Client is authorized to permit copying or distribution of this Certificate. Any use of the Intertek name or one of its marks for the sale or advertisement of the tested material, product or service must first be approved in writing by Intertek.

APPENDIX: Certificate of Conformity

This is an Appendix to Certificate of Conformity Number: CN-PV-220164

Unit / Type	H2-5K-T2	H2-6K-T2	H2-8K-T2	H2-10K-T2
Hardware version / Serial No. (tested).. :	V1.0			
Firmware version / Software version (tested)	V1.001			
PV side				
Full-load MPP DC voltage range [V]	230-850	280-850	370-850	460-850
Input DC voltage range [V]	180-900			
Max. Input DC current [A]	15/15			
Max. Short circuit[A]	18/18			
DC side				
Operating voltage range [Vdc].....:	180-600			
Max. Charging/Discharging current [A]..:	30/30			
Rated Charging/Discharging [W]	5000	6000	8000	10000
Nominal output AC voltage [V]	230/400V (3~ + N + PE, 50/60Hz)			
Max. Output AC current [A]	8,3	10,0	13,3	16,7
Nominal active output power [W]	5000	6000	8000	10000
Max, apparent / active output power [VA / W].....:	5500	6600	8800	11000

This Certificate is for the exclusive use of Intertek's client and is provided pursuant to the agreement between Intertek and its Client. Intertek's responsibility and liability are limited to the terms and conditions of the agreement. Intertek assumes no liability to any party, other than to the Client in accordance with the agreement, for any loss, expense or damage occasioned by the use of this Certificate. Only the Client is authorized to permit copying or distribution of this Certificate. Any use of the Intertek name or one of its marks for the sale or advertisement of the tested material, product or service must first be approved in writing by Intertek.

APPENDIX: Certificate of Conformity

This is an Appendix to Certificate of Conformity Number: CN-PV-220164.

Requisito / Requirement	NTS	Tipo / Type	Cumplimiento / Complicant	Nombre Entidad Emisora / Name of issuing Entity	Ev. (*)
Modo regulación potencia-frecuencia limitado sobrefrecuencia (MRPFL-O) / Power-frequency regulation mode limited to overfrequency (MRPFL-O)	5.1	≥A	YES (TRF No. 220805052GZU-001)	Intertek	P
Modo regulación potencia-frecuencia limitado-subfrecuencia (MRPFL-U) / Power-frequency regulation mode limited to underfrequency (MRPFL-U)	5.2	≥C	NOT APPLICABLE	--	--
Modo regulación potencia-frecuencia (MRPF) / Power-frequency regulation mode (MRPF)	5.3	≥C	NOT APPLICABLE	--	--
Control de potencia-frecuencia / Frequency Control	5.4	≥C	NOT APPLICABLE	--	--
Capacidad de control y el rango de control de la potencia activa en remote / Active Power Requirements	5.5	≥C	NOT APPLICABLE	--	--
Emulación de inercia durante variaciones de frecuencia muy rápidas / Intertia Emualtions	5.6	≥C	NOT APPLICABLE	--	--
Capacidad de potencia reactiva a la capacidad máxima y por debajo / Reactive power capabilities at the EUT rated power and below	5.7	≥B	NOT APPLICABLE	--	--
Modos de control de la potencia reactiva / Reactive power control modes	5.8	≥B	NOT APPLICABLE	--	--
Control de amortiguamiento de oscilaciones / Control of oscillation damping	5.10	≥C	NOT APPLICABLE	--	--
Capacidad para soportar huecos de tensión de los MPE conectados por debajo de 110 kV / Capability to withstand voltage grid faults for POC below 110 kV	5.11	≥B	NOT APPLICABLE	--	--
Capacidad para soportar huecos de tensión de los MPE conectados por encima de 110 kV / Capability to withstand voltage grid faults for POC above 110 kV	5.11	D	NOT APPLICABLE	--	--
Recuperación de la potencia activa después de una falta / Active power recovery after a grid fault	5.11	≥B	NOT APPLICABLE	--	--
Inyección rápida de corriente de falta en el punto de conexión en caso de faltas trifásicas) simétricas / Rapid current injection control	5.11	≥B	NOT APPLICABLE	--	--
Capacidad de participar en el funcionamiento en isla / Islanding requirements	5.13	≥C	NOT APPLICABLE	--	--
(*) Evaluado por / Evaluated by: P: Prueba de conformidad / Test of compliance S: Simulación de conformidad / Simulation of compliance					

This Certificate is for the exclusive use of Intertek's client and is provided pursuant to the agreement between Intertek and its Client. Intertek's responsibility and liability are limited to the terms and conditions of the agreement. Intertek assumes no liability to any party, other than to the Client in accordance with the agreement, for any loss, expense or damage occasioned by the use of this Certificate. Only the Client is authorized to permit copying or distribution of this Certificate. Any use of the Intertek name or one of its marks for the sale or advertisement of the tested material, product or service must first be approved in writing by Intertek.

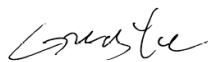
Certificate of Conformity

Certificate Number: CN-PV-230098

On the basis of the tests undertaken, the sample<s> of the below product have been found to comply with the requirements of the referenced specification<s>/standard<s> at the time the tests were carried out. It does not imply that Intertek has performed any surveillance or control of the manufacture(s). The manufacturer(s) shall ensure that the manufacturing process assures compliance of the production units with the examined products mentioned in this certificate.

Applicant:	Guangzhou Sanjing Electric Co., Ltd. No.9, Lizhishan Road, Science City, Guangzhou High-tech Zone, Guangdong P.R. China
Product:	Hybrid Solar Inverter
Ratings & Principle Characteristics:	See appendix of Certificate of Conformity
Model:	H2-5K-T2, H2-6K-T2, H2-8K-T2, H2-10K-T2
Brand Name<s>:	
Product Complies with:	UNE 217001:2020 Tests for systems that avoid the discharge of energy to the distribution network
Certificate Issuing Office Name & Address:	Intertek Testing Services Ltd. Shanghai West Area, 2 nd Floor, No. 707, Zhangyang Road China (Shanghai) Pilot Free Trade Zone, Shanghai, P. R. China Accredited by ACCREDIA in accordance with ISO/IEC 17065:2012
Test Report No.<s>:	221031094GZU-004

Additional information in Appendix.



Signature

Certification Manager: Grady Ye

Date: 14 March 2023



PRD N° 306B

APPENDIX: Certificate of Conformity

This is an Appendix to Certificate of Conformity Number: CN-PV-230098.

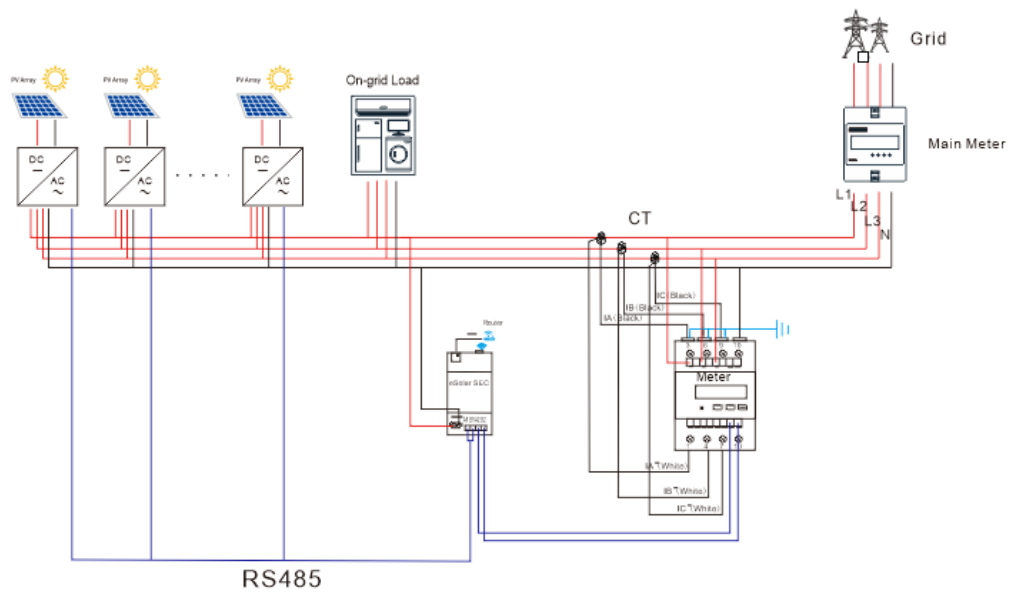
MODEL	H2-5K-T2	H2-6K-T2	H2-8K-T2	H2-10K-T2
DC input				
Max.PV Array power(Wp)@STC	7500	9000	12000	15000
Max.DC voltage(V)	1000			
MPPT voltage range(V)	180~900			
Start Voltage(V)	180			
Max. DC input Current(A)	15/15			
Max. DC Short Circuit Current(A)	18/18			
Number of MPPT	2			
No. Of string per MPPT	1/1			
Battery Data				
Battery Type	Lithium battery			
Battery voltage(V)	180~600			
Max.charging/discharging current(A)	30/30			
Max.charging/discharging power(W)	5000	6000	8000	10000
AC Output (on-grid)				
Rated output power(W)	5000	6000	8000	10000
Max. Output Power(VA)	5500	6600	8800	11000
Rated output current(A)	7.2	8.7	11.6	14.5
Max. output current (A)	8.3	10.0	13.3	16.7
Rated Output voltage(V)	220/380, 230/400, 3L/ N/PE			
Rated Grid Frequency Range(Hz)	50/60			
Power Factor (cosφ)	0.8 leading ~ 0.8 lagging			
Total Harmonic Distortion(THDi)	< 3%			
AC Output (Back-up mode)				
Rated Output Power(W)	5000	6000	8000	10000
Max. output current (A)	8.0	9.6	12.8	15.9
Rated Output voltage(V)	220/380, 230/400, 3L/ N/PE			
Rated Grid Frequency Range(Hz)	50/60			
Total Harmonic Distortion(THDi)	< 3%			
Peak Output Apparent Power(VA)	10000VA 60sec	12000VA 60sec	16000VA 60sec	16500VA 60sec

This Certificate is for the exclusive use of Intertek's client and is provided pursuant to the agreement between Intertek and its Client. Intertek's responsibility and liability are limited to the terms and conditions of the agreement. Intertek assumes no liability to any party, other than to the Client in accordance with the agreement, for any loss, expense or damage occasioned by the use of this Certificate. Only the Client is authorized to permit copying or distribution of this Certificate. Any use of the Intertek name or one of its marks for the sale or advertisement of the tested material, product or service must first be approved in writing by Intertek.

APPENDIX: Certificate of Conformity

This is an Appendix to Certificate of Conformity Number: CN-PV-230098.

Installation scheme:



Maximum number of inverters to be connected in parallel is:

Using energy meter CHINT DTSU666, maximum number of inverters connected in parallel are 10

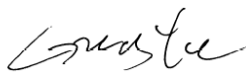
Certificado de Conformidad

Número de certificado: CN-PV-220164

Sobre la base de las pruebas realizadas, se ha comprobado que la muestra <s> del producto indicado a continuación cumple con los requisitos del <s>/estándar<s> especificado en el momento en que se realizaron las pruebas. Esto no implica que Intertek haya realizado ninguna vigilancia o control del o los fabricantes. El o los fabricantes deberán garantizar que el proceso de fabricación muestre conformidad de las unidades de producción con los productos examinados que se mencionan en este certificado.

Solicitante:	Guangzhou Sanjing Electric Co., Ltd. No.9, Lizhishan Road, Science City, Guangzhou High-tech Zone, Guangdong, P.R.China
Producto:	Inversor Solar Híbrido
Características de potencia y principios:	Consulte el apéndice del Certificado de Conformidad
Modelo:	H2-5K-T2, H2-6K-T2, H2-8K-T2, H2-10K-T2
Marca<s>:	
El producto cumple con:	NTS-631:2020 Estándar técnico para el control de conformidad de los módulos generadores de energía según el Reglamento de la UE 2016/631
Nombre y dirección de la oficina emisora del certificado:	Intertek Testing Services Ltd. Shanghai West Area, 2 nd Floor, No. 707, Zhangyang Road China (Shanghai) Pilot Free Trade Zone, Shanghai, P. R. China Acreditada por ACCREDIA según la norma ISO/IEC 17065:2012
Informe de ensayo N°<s>:	220805052GZU-001

Información adicional en el Apéndice.



Firma

Director de la certificación: Grady Ye

Fecha: 12 de agosto de 2022



PRD N° 306B

Declaration: It is an accurate translation of the original document.

Este Certificado es para uso exclusivo del cliente de Intertek y se proporciona en virtud del acuerdo entre Intertek y su Cliente. La responsabilidad de Intertek está limitada a los términos y condiciones del acuerdo. Intertek no asume ninguna responsabilidad ante ninguna parte, salvo ante el Cliente, de conformidad con el acuerdo, por cualquier pérdida, gasto o daño ocasionado por el uso de este Certificado. El Cliente es el único autorizado a distribuir o realizar una copia de este Certificado. Cualquier uso del nombre de Intertek o de una de sus marcas para la venta o publicidad del material, producto o servicio testeado debe ser aprobado por escrito por Intertek con anterioridad.

APÉNDICE: Certificado de Conformidad

Este es un Apéndice del Certificado de Conformidad N°: CN-PV-220164

Unidad / Tipo	H2-5K-T2	H2-6K-T2	H2-8K-T2	H2-10K-T2
Versión del hardware / Número de serie (probado)	V1.0			
Versión del firmware / Versión de software (probado)	V1.001			
PV lado				
Rango de tensión de CC MPP con carga completa [V]	230-850	280-850	370-850	460-850
Rango de tensión de CC de entrada [V] .. :	180-900			
Corriente continua de entrada máx.[A] .. :	15/15			
Cortocircuito máx.[A]	18/18			
Lado de CC				
Rango de tensión de funcionamiento [Vdc].....:	180-600			
Corriente de carga/descarga máx. [A]...:	30/30			
Carga/Descarga nominal [W]	5000	6000	8000	10000
Tensión nominal de salida de CA [V]	230/400V (3~ + N + PE, 50/60Hz)			
Corriente CA de salida máx.[A]..... :	8,3	10,0	13,3	16,7
Potencia nominal de salida activa [W] .. :	5000	6000	8000	10000
Potencia de salida aparente/activa máx.[VA / W]	5500	6600	8800	11000

Este Certificado es para uso exclusivo del cliente de Intertek y se proporciona en virtud del acuerdo entre Intertek y su Cliente. La responsabilidad de Intertek está limitada a los términos y condiciones del acuerdo. Intertek no asume ninguna responsabilidad ante ninguna parte, salvo ante el Cliente, de conformidad con el acuerdo, por cualquier pérdida, gasto o daño ocasionado por el uso de este Certificado. El Cliente es el único autorizado a distribuir o realizar una copia de este Certificado. Cualquier uso del nombre de Intertek o de una de sus marcas para la venta o publicidad del material, producto o servicio testeado debe ser aprobado por escrito por Intertek con anterioridad.

APPENDIX: Certificate of Conformity

This is an Appendix to Certificate of Conformity Number: CN-PV-220164.

Requisito / Requirement	NTS	Tipo / Type	Cumplimiento / Complicant	Nombre Entidad Emisora / Name of issuing Entity	Ev. (*)
Modo regulación potencia-frecuencia limitado sobrefrecuencia (MRPFL-O) / Power-frequency regulation mode limited to overfrequency (MRPFL-O)	5.1	≥A	YES (TRF No. 220805052GZU-001)	Intertek	P
Modo regulación potencia-frecuencia limitado-subfrecuencia (MRPFL-U) / Power-frequency regulation mode limited to underfrequency (MRPFL-U)	5.2	≥C	NOT APPLICABLE	--	--
Modo regulación potencia-frecuencia (MRPF) / Power-frequency regulation mode (MRPF)	5.3	≥C	NOT APPLICABLE	--	--
Control de potencia-frecuencia / Frequency Control	5.4	≥C	NOT APPLICABLE	--	--
Capacidad de control y el rango de control de la potencia activa en remote / Active Power Requirements	5.5	≥C	NOT APPLICABLE	--	--
Emulación de inercia durante variaciones de frecuencia muy rápidas / Inertia Emulations	5.6	≥C	NOT APPLICABLE	--	--
Capacidad de potencia reactiva a la capacidad máxima y por debajo / Reactive power capabilities at the EUT rated power and below	5.7	≥B	NOT APPLICABLE	--	--
Modos de control de la potencia reactiva / Reactive power control modes	5.8	≥B	NOT APPLICABLE	--	--
Control de amortiguamiento de oscilaciones / Control of oscillation damping	5.10	≥C	NOT APPLICABLE	--	--
Capacidad para soportar huecos de tensión de los MPE conectados por debajo de 110 kV / Capability to withstand voltage grid faults for POC below 110 kV	5.11	≥B	NOT APPLICABLE	--	--
Capacidad para soportar huecos de tensión de los MPE conectados por encima de 110 kV / Capability to withstand voltage grid faults for POC above 110 kV	5.11	D	NOT APPLICABLE	--	--
Recuperación de la potencia activa después de una falta / Active power recovery after a grid fault	5.11	≥B	NOT APPLICABLE	--	--
Inyección rápida de corriente de falta en el punto de conexión en caso de faltas trifásicas) simétricas / Rapid current injection control	5.11	≥B	NOT APPLICABLE	--	--
Capacidad de participar en el funcionamiento en isla / Islanding requirements	5.13	≥C	NOT APPLICABLE	--	--
(*) Evaluado por / Evaluated by: P: Prueba de conformidad / Test of compliance S: Simulación de conformidad / Simulation of compliance					

Este Certificado es para uso exclusivo del cliente de Intertek y se proporciona en virtud del acuerdo entre Intertek y su Cliente. La responsabilidad de Intertek está limitada a los términos y condiciones del acuerdo. Intertek no asume ninguna responsabilidad ante ninguna parte, salvo ante el Cliente, de conformidad con el acuerdo, por cualquier pérdida, gasto o daño ocasionado por el uso de este Certificado. El Cliente es el único autorizado a distribuir o realizar una copia de este Certificado. Cualquier uso del nombre de Intertek o de una de sus marcas para la venta o publicidad del material, producto o servicio testeado debe ser aprobado por escrito por Intertek con anterioridad.